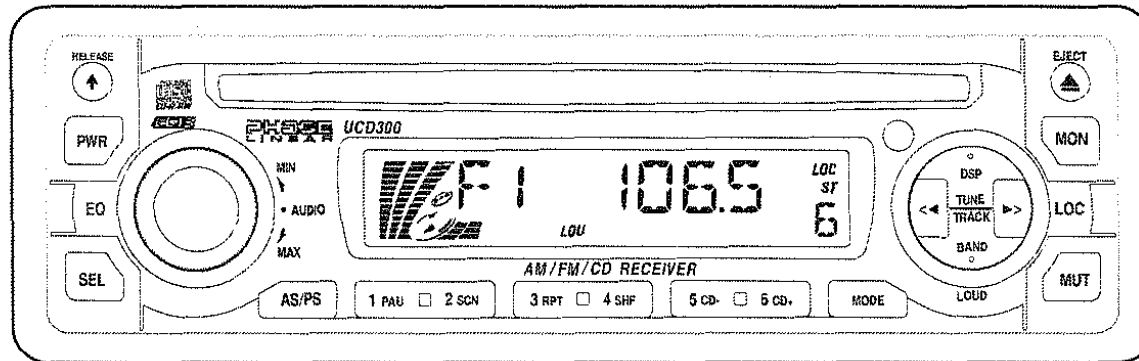


PHASE LINEAR

UCD300/UMP400

Owner's Manual/Manual del Usuario/Manual de L'Utilisateur



AM/FM/CD Receiver

Receptor AM/FM/CD

AM/FM/CD Ampli-Syntoniseur

Para obtener instrucciones en Español, dirijase a la página 20.

Pour des instructions en Francais, référez-vous à la page 38.

PREPARATION

Getting Started

It's a good idea to read all of the instructions before beginning the installation.

Contents

Installation Instructions.....	3
Wiring	5
Installing the Removable Faceplate	6
Operating Instructions	7
CD Player Operating Instructions.....	11
MP3 Player Operation (UMP400).....	13
CD Changer Controls	14
Remote Control	15
Care and Maintenance	16
Specifications	17
90 Day Limited Warranty	18

Installation Requirements

This unit is designed for installation in cars, trucks and vans with an existing radio opening. In many cases, a special installation kit will be required to mount the radio to the dashboard. These kits are available at electronics supply stores and car stereo specialty shops. Always check the kit application before purchasing to make sure the kit works with your vehicle. If you need a kit but cannot locate one, call our

customer support line at 1-800-323-4815. (U.S.A. and Canada only.)

Tools and Supplies

The following tools and supplies are needed to install the radio.

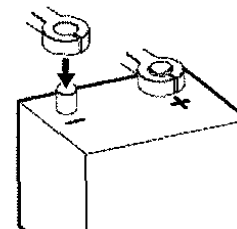
- Torx type, flathead and Philips screwdrivers
- Wire cutters and strippers
- Tools to remove existing radio (screwdriver, socket wrench set or other tools)
- Electrical tape
- Crimping tool
- Volt meter/test light
- Crimp connections
- 18 gauge wire for power connections
- 16-18 gauge speaker wire

Speaker Requirements

Only connect speakers rated with a load impedance of 4 ohms. Speakers with a load impedance of less than 4 ohms could damage the unit.

Disconnect Battery

Before you begin, disconnect the battery negative terminal.



Toll-Free Installation Assistance

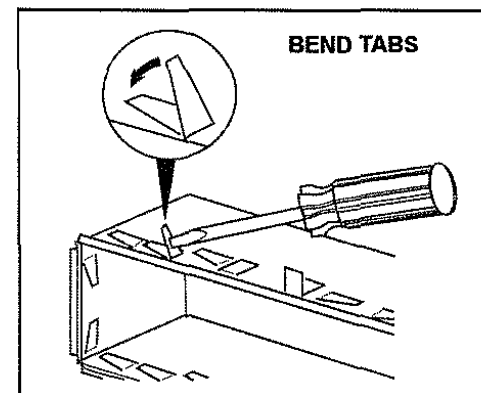
If you require assistance, contact Technical Support at 1-800-323-4815 from 8:30 a.m. to 7:00 p.m. EST Monday through Friday and from 9:00 a.m. to 5:00 p.m. EST on Saturday. (U.S.A. and Canada only.)

INSTALLATION INSTRUCTIONS

Installation Using a Mounting Sleeve

- Slide the mounting sleeve off the chassis. If it is locked into position, use the removal tools (supplied) to disengage it.
- Check the dashboard opening size by sliding the mounting sleeve into it. If the opening is too small, carefully cut or file as necessary until the sleeve easily slides into the opening. Do not force the sleeve into the opening or cause it to bend or bow. Check for sufficient space behind the dashboard for the radio chassis.
- Locate the series of bend tabs along the top, bottom, and sides of the mounting sleeve. With the sleeve fully inserted into the dashboard opening, bend as many of the tabs outward as necessary to firmly secure the sleeve to the dashboard.
- Place the radio in front of the dashboard opening so the wiring can be brought through the mounting sleeve. Follow the wiring diagram carefully and make certain all connections are secure and insulated with wire nuts or electrical tape. After completing the wiring connections, turn the unit on to confirm operation (vehicle ignition must be "on"). If the unit does not operate, re-check all wiring until the problem is corrected.

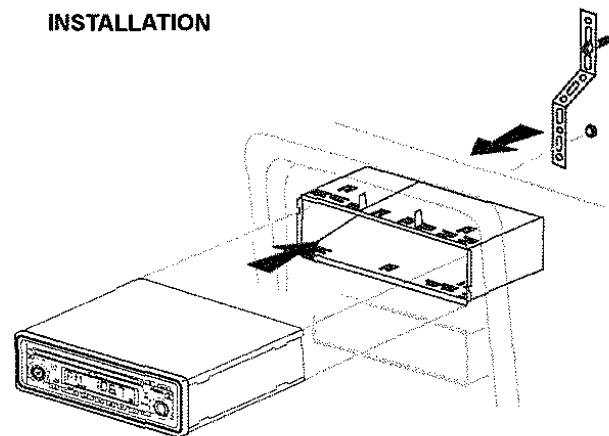
- Make sure the radio is right-side up, then carefully slide the radio into the mounting sleeve until it is fully seated and the spring clips lock it into place.
- Attach one end of the perforated support strap (supplied) to the screw stud on the rear of the chassis using the hex nut provided. Fasten the other end of the perforated strap to a secure part of the dashboard either above or below the radio using the screw provided. Bend the strap to position it as necessary.
- Test the radio using the Operating Instructions that follow.



CAUTION: The support strap must be used to prevent damage to the dashboard from the weight of the radio or improper operation due to vibration.

CAUTION: For proper operation of the CD player, the chassis must be mounted within 20° of horizontal. Make sure the unit is mounted within this limitation.

INSTALLATION



INSTALLATION INSTRUCTIONS

Installation Using a Kit

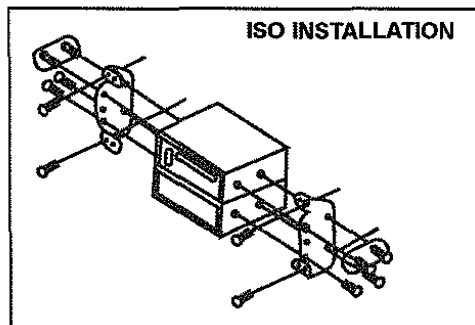
If your vehicle requires the use of an installation kit to mount this radio, follow the instructions included with the installation kit to attach the radio to the mounting plate supplied with the kit.

1. Wire and test the radio as described in step 4 of "Installation Using a Mounting Sleeve".
2. Install the radio mounting plate assembly to the sub-dashboard according to the installation kit instructions.
3. Attach the support strap to the radio and dashboard as described in step 6 of "Installation Using a Mounting Sleeve".
4. Replace the dashboard trim panel.

ISO Installation

This unit has threaded holes in the chassis side panels which may be used with the original factory mounting brackets of some Toyota, Nissan, Mitsubishi, Isuzu, Hyundai and Honda vehicles to mount the radio to the dashboard. Please consult with your local car stereo specialty shop for assistance on this type of installation.

1. Remove the existing factory radio from the dashboard or center console mounting. Save all hardware and brackets as they will be used to mount the new radio.



2. Carefully unsnap the plastic frame from the front of the new radio chassis. Remove and discard the frame.
3. Remove the factory mounting brackets and hardware from the existing radio and attach them to the new radio.

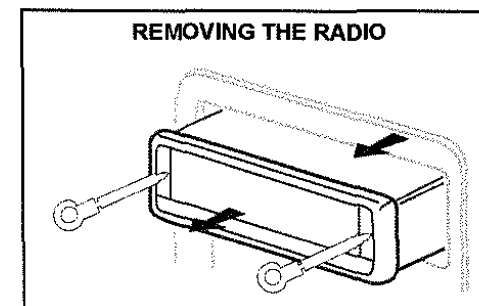
CAUTION: Do not exceed M5 X 6 MM screw size. Longer screws may touch and damage components inside the chassis.

4. Wire the new radio to the vehicle as described in step 4 of "Installation Using a Mounting Sleeve".
5. Mount the new radio assembly to the dashboard or center console using the

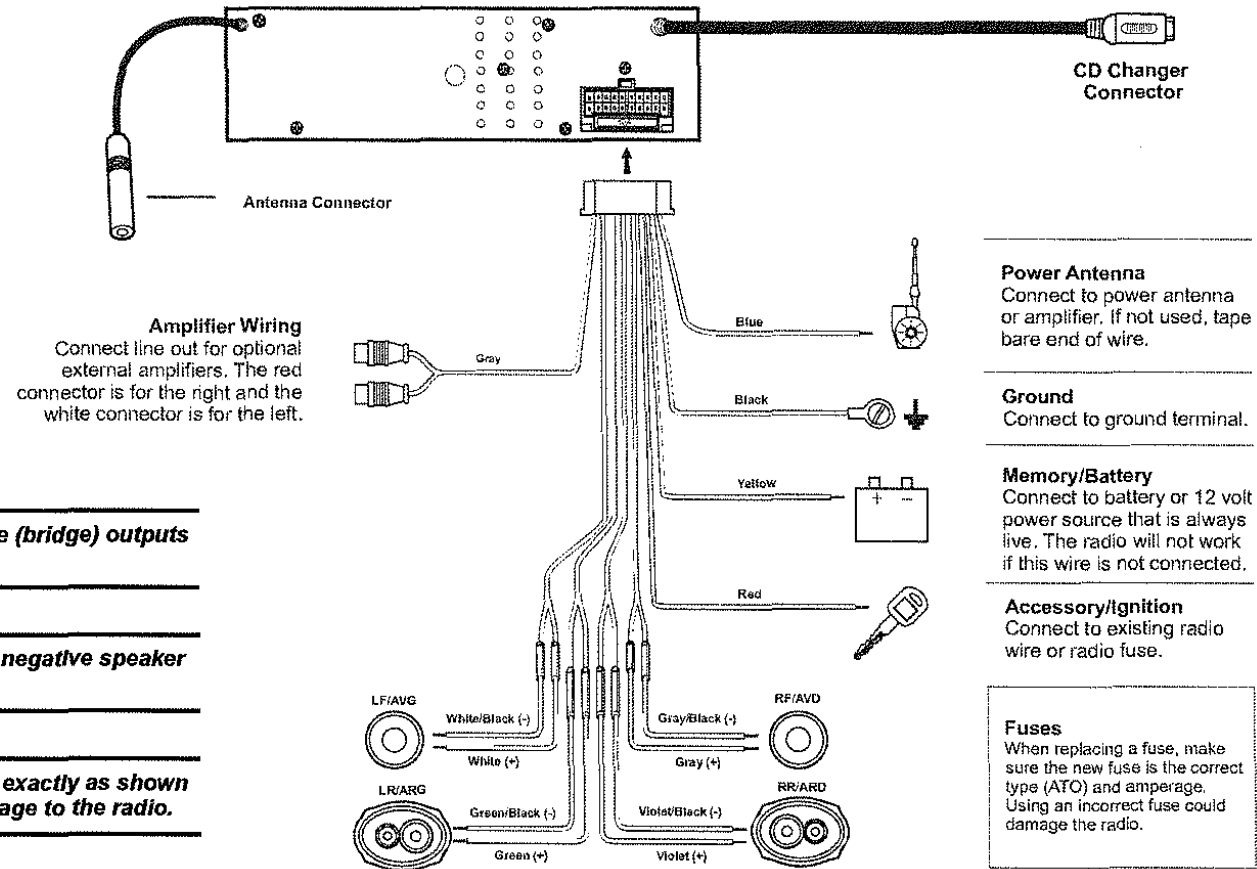
reverse procedure in step 1 of "Installation Using a Mounting Sleeve".

Removing the Radio

To remove the radio after installation, remove the trim ring by lifting in the center and pulling it off from either side. Insert the removal keys straight back until they lock, then pull the radio out. If removal keys are inserted at an angle, they will not lock properly and will not release the unit.



WIRING



Amplifier Wiring
Connect line out for optional external amplifiers. The red connector is for the right and the white connector is for the left.

Power Antenna
Connect to power antenna or amplifier. If not used, tape bare end of wire.

Ground
Connect to ground terminal.

Memory/Battery
Connect to battery or 12 volt power source that is always live. The radio will not work if this wire is not connected.

Accessory/Ignition
Connect to existing radio wire or radio fuse.

Fuses
When replacing a fuse, make sure the new fuse is the correct type (ATO) and amperage. Using an incorrect fuse could damage the radio.

WARNING! Never combine (bridge) outputs for use with 1 speaker.

WARNING! Never ground negative speaker leads to chassis ground.

CAUTION: Failure to wire exactly as shown may cause electrical damage to the radio.

INSTALLING THE REMOVABLE FACEPLATE

Faceplate Installation

To install the faceplate, slip the right edge of the front panel into the radio then gently press the left side into place.

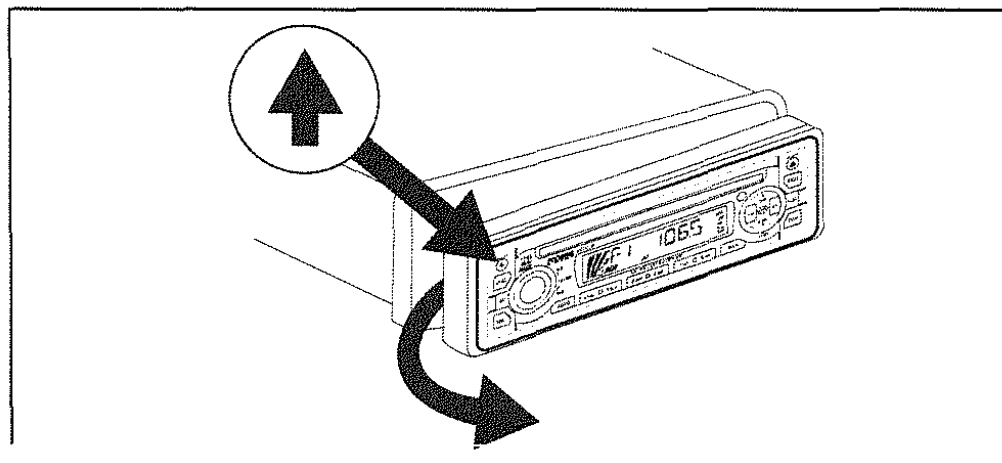
Faceplate Detachment

To remove the faceplate, press the **RELEASE** button, and pull gently on the left side of the front panel.

For safekeeping, store the front panel in the protective case provided.

Handling Precautions

- Make sure the front panel is right-side-up when attaching it to the chassis as it cannot be attached when up-side down.
- Do not press very hard on the front panel when attaching it to the chassis. No more than light to moderate pressure is needed.
- When attaching the front panel, make sure it is centered in the chassis frame and is pressed straight into position.
- Do not drop the front panel.
- Do not put pressure on the display or control buttons when handling the front panel.
- Do not touch the electrical terminals on the front panel or main unit.



- Remove dirt or foreign substances with a clean, *dry* cloth only.
- Do not expose the front panel to extreme temperatures or direct sunlight.
- Keep volatile agents such as benzene, thinner or insecticides away from the front panel.
- Do not disassemble the front panel.
- When taking the front panel with you, please use the supplied carrying case to protect the panel from dirt and damage.
- Make sure there is no dust or dirt on the electrical terminals on the back of the panel as this could cause intermittent operation or other malfunctions.

OPERATING INSTRUCTIONS

① Power On/Off Button (PWR)

Press the **PWR** button (1) to turn the unit on and off when the vehicle ignition switch is on. When the unit is off, the clock is automatically displayed on the Liquid Crystal Display (LCD) panel unless the ignition switch is off. If the radio is off when the ignition switch is turned off, the **PWR** button must be pressed to turn the radio on after the ignition switch is turned on. If the ignition switch is turned off while the radio is on, the radio will come on automatically when the ignition switch is again turned on.

② Liquid Crystal Display Panel

The Liquid Crystal Display (LCD) panel displays the frequency, time and all activated functions, including a 5-bar graph which depicts the signal level.

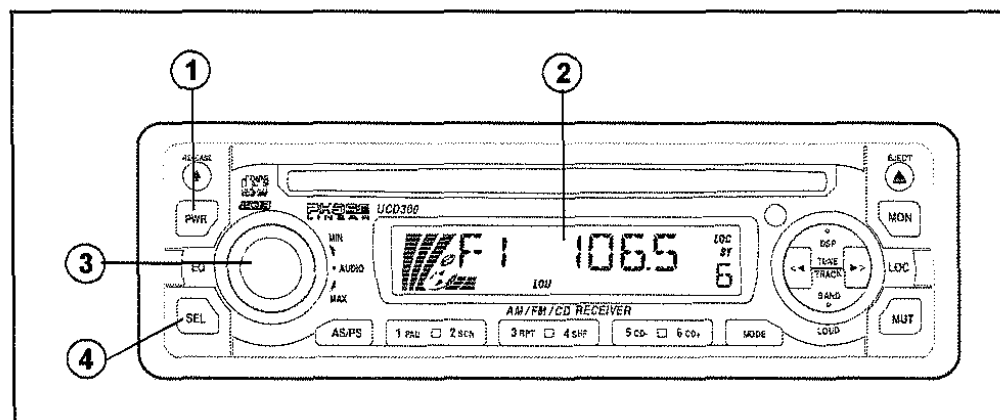
NOTE: It is a characteristic of LCD panels that, if subjected to cold temperatures for an extended period of time, they may take longer to illuminate than under normal conditions. In addition, the visibility of the numbers on the LCD may slightly decrease. The LCD read-out will return to normal when the temperature inside the vehicle increases to a normal range.

③ Volume Control (AUDIO)

To increase the volume level, turn the **AUDIO** control (3) clockwise. To decrease the volume level, turn the **AUDIO** control counter-clockwise. The volume will increase/decrease and the level will be shown on display panel from a minimum of "VOL 00" to a maximum of "VOL 100". The display will automatically return to the normal indication 5 seconds after the last volume adjustment or when another function is activated. The **AUDIO** control is also used in conjunction with the **SEL** button (4) to adjust the bass, treble, balance and fader levels.

④ Select Button (SEL)

The **SEL** button is used to select the audio function (volume, bass, treble, balance or fade) to be adjusted using the **AUDIO** control (3). Press the **SEL** button (4) once to set the unit for volume adjustment ("VOL" will appear on the display panel). Press the button additional times to select bass adjustment ("BAS" on display panel), treble adjustment (TRB), balance (BAL), fader (FAD), and volume (VOL) again. The display will return to the normal indication 5 seconds after the last adjustment or when another function is activated.



OPERATING INSTRUCTIONS

④ Bass Control

To adjust the bass level, first select the Bass mode by pressing the **SEL** button (4) until "BAS" appears on the display panel. Within five seconds, turn the **AUDIO** control (3) to adjust the bass response from a minimum of "BAS -10" to a maximum of "BAS 10". "BAS 00" represents a flat response.

④ Treble Control

To adjust the treble level, press the **SEL** button (4) until "TRB" appears on the display panel. Within five seconds, turn the **AUDIO** control (3) to adjust the treble from a minimum of "TRB -10" to a maximum of "TRB 10". "TRB 00" represents a flat response.

④ Left/Right Balance Control

To adjust the left-right speaker balance, press and release the **SEL** button (4) until the "BAL" indication appears on the display panel. Within five seconds, turn the **AUDIO** control (3) to adjust the balance between the left and right speakers from "BAL 10L" (full left) to "BAL 10R" (full right). "BAL L=R" represents an equal balance level between the left and right speakers.

④ Front/Rear Fader Control

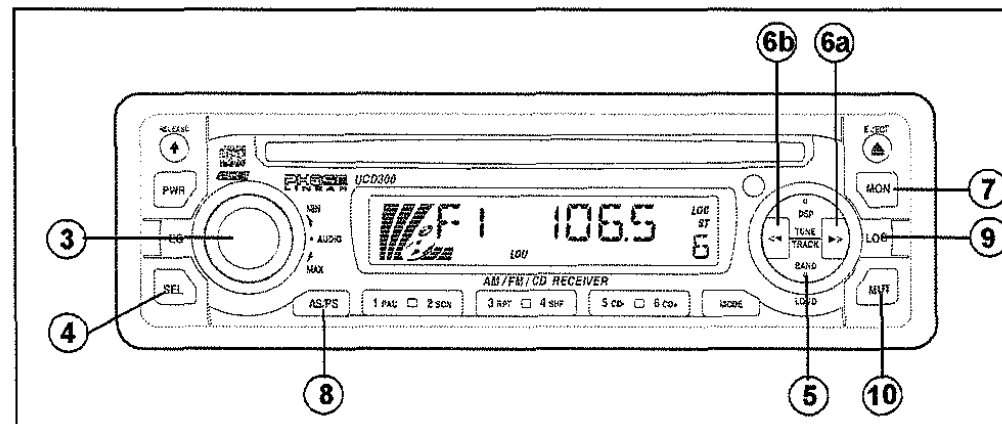
To adjust the front/rear speaker balance, press the **SEL** button (4) until "FAD" appears on the display panel. Within five seconds, turn the **AUDIO** control (3) to adjust the balance between the front and rear speakers from "FAD 10F" (full front) to "FAD 10R" (full rear). "FAD F=R" represents an equal balance level between the front and rear speakers.

④ Audible Beep

Press **SEL** (4) for > 3 seconds to access the Beep Tone menu. Turn the **AUDIO** control (3) to select "BEEP ALL", "BEEP 2ND", or "BEEP OFF".

⑤ AM/FM Band Selector (BAND)

During radio play, each time the **BAND** button (5) is pressed, the radio band changes. The indications "AM 1", "F 1", "F 2", or "F 3" will appear on the display panel according to your selection.



OPERATING INSTRUCTIONS

⑤ Loudness Control (BAND/LOUD)

When listening to music at low volume levels, this feature will boost the bass and treble ranges to compensate for the characteristics of human hearing. Press and hold the **BAND/LOUD** button (5) to activate this feature as indicated by a beep tone and "LOUD ON" appearing on the display panel. ("LOU" remains on the display.) Pressing and holding the button again will sound a beep tone and display "LOUD OFF". "LOU" will disappear.

⑥ Tuning Control

Seek Tuning

Press the **TUNE/TRACK** (▶▶) button (6a) to tune the radio higher, or the **TUNE/TRACK** (<<) button (6b) to tune the radio lower. The radio will seek the next strong station and stop.

Manual Tuning

To manually seek a specific station, first *press and hold* either the up or down **TUNE/TRACK** button (6a and 6b) until "MANUAL" appears on the display. Press the up or down **TUNE/TRACK** buttons momentarily to tune two frequency steps at a time. If no further tuning is performed after five seconds, "AUTO" will appear momentarily on the display, and tuning will revert to the original tuning mode.

⑦ FM Mono Select (MON)

During FM radio operation, the **MON** button (7) is used to select monaural or stereo reception of the broadcast signal. Under normal reception conditions, the unit should be left in the stereo mode (indicated by "STEREO" when tuned to an FM stereo signal). If the signal is too noisy for comfortable listening, press the **MON** button; the "STEREO" indication will disappear from the display panel and "MONO" will appear. To return to stereo reception mode, press the button again.

⑧ Auto-Store/Pre-Set Scan (AS/PS or AMS)

Press the **AS/PS** or **AMS** button (8) momentarily to scan the 6 stations in the pre-set memory for all FM bands. The unit will stop at each pre-set station for 10 seconds. Press **AS/PS** or **AMS** again to stop scanning and select the current frequency. Press the **AS/PS** or **AMS** button for more than 2 seconds to activate the Auto-Store Tuning feature. The radio will automatically scan the band in use and enter strong stations into the pre-set memory positions for that band. Auto-Store will erase any stored stations.

⑨ Local Button (LOC)

During radio operation, received signals are usually in stereo mode as indicated by the "ST" icon; however, when the signals are weak or intermittent, you can activate the Local (LOC) mode by pressing the **LOC** button (9) ("LOC" appears on the display). This mode favors access to local stations whose signals are much stronger; thereby improving radio reception. Press the **LOC** button again to terminate Local receive mode ("LOC" disappears from the display panel).

⑩ Audio Mute (MUT)

Press the **MUT** button (10) to silence the volume from the system. "MUTE" will appear on the display panel. Press **MUT** again (or activate another function) to return the volume level to the setting that was in use before the Mute function was activated.

OPERATING INSTRUCTIONS

11 Station Pre-Set Memories

To set any of the 6 pre-set memory buttons, use the following procedure:

1. Turn the unit on and select the desired band.
2. Select the first station to be pre-set using the **TUNE/TRACK** buttons (6a and 6b).
3. Press and hold a pre-set button until you hear a confirmation tone. The pre-set number will appear on the display panel. The station is now stored and can be recalled at any time by momentarily pressing that button.

Repeat the above procedure for the remaining 5 pre-sets for the current band. Six stations can be stored for each of the bands.

12 Equalizer Selector (EQ)

The **EQ** button (12) applies preset sound effects to the unit's audio output signal. When pressed, it will activate one of the following modes: "FLAT", "CLASSICS", "POP M", "ROCK M" or "DSP OFF". When the Equalizer function is active, the bass and treble levels can still be changed to accommodate the listener's ear. When the EQ function is not active, the unit returns to the user-set bass and treble levels.

13 Display Selector (DSP)

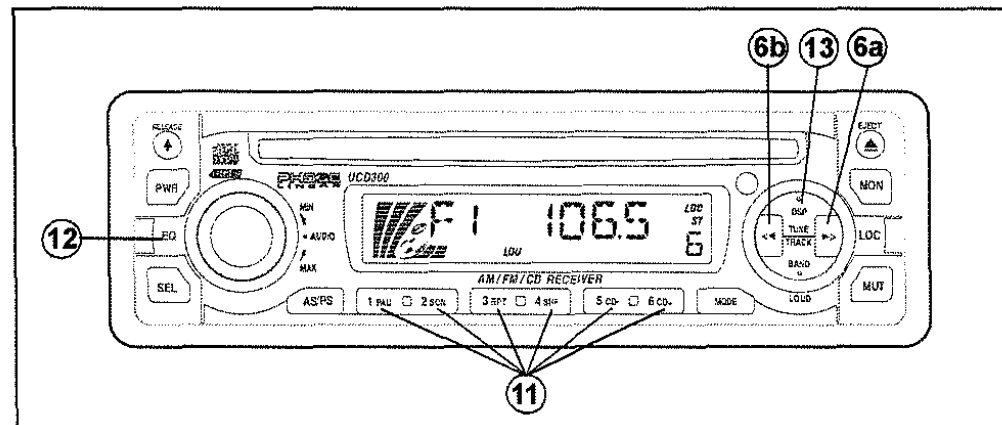
This unit can display either the clock time or radio frequency/CD player functions. Press the **DSP** or **DISP/0** button (13) to display the time for approximately 5 seconds. The correct time-of-day can be set by pressing and holding the **DSP** or **DISP/0** button.

Setting the Clock

To set the clock, perform the following steps:

1. Press the **DSP** or **DISP/0** button (13) to display the clock.
2. Press and hold the **DSP** or **DISP/0** button (13) until the time display flashes.

3. Within 5 seconds, press the **TUNE/TRACK** (<<) button (6b) to adjust the minutes to the desired setting.
4. Press the **TUNE/TRACK** (>>) button (6a) to adjust the hour and the "AM"/"PM" indication to the desired time.
5. Press the **DSP** or **DISP/0** button again to return to radio frequency or disc play or wait five seconds and normal operation will resume automatically.



CD PLAYER OPERATING INSTRUCTIONS

15 Disc Slot

With the label surface facing up, gently insert the disc into the slot until the soft-loading mechanism engages and disc play begins. "S -- CDP ---" will appear momentarily. Once loaded, the (CD) indication will become animated and the track number and elapsed time will appear in the display.

NOTE: The unit is designed for play of standard 5" (12 cm.) compact discs only. Do not attempt to use 3" (8 cm.) CD singles in this unit, either with or without an adaptor, as damage to the player and/or the disc may occur. Such damage will not be covered by the warranty on this product.

6 Track Selector (TUNE/TRACK)

The Track Select functions are used to quickly access the beginning of a particular track. Each time the TUNE/TRACK (▶▶) button (6a) is pressed, the next higher track number is selected, as shown on the display panel. Each time the TUNE/TRACK (<<) button (6b) is pressed, the next lower track number is selected, as shown on the display panel.

6 Cue/Review Functions

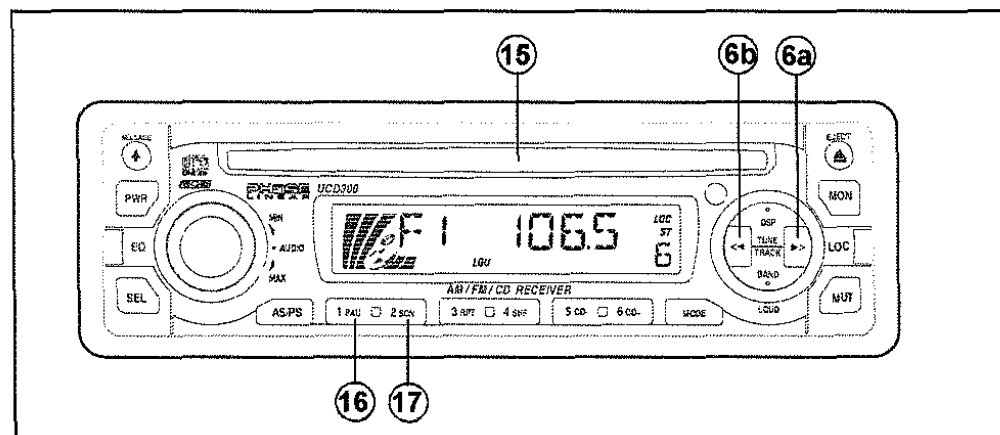
Press and hold the TUNE/TRACK (▶▶) button (6a) to advance rapidly forward or the TUNE/TRACK (<<) button (6b) to advance rapidly backward. During either function, the elapsed time of each track will be shown on the display panel.

16 Disc Play/Pause Select

Press the 1 PAU or ▶/|| button (16) to freeze disc play. "S-PAUSE" will appear on the display. Press 1 PAU or ▶/|| again to resume disc play and the "S-PAUSE" indication will disappear.

17 Track Scan Select (SCN)

During disc play, press the 2 SCN button (17) to play the first 10 seconds of each track. ("S-SCN" will be displayed with the track number). When a desired track is reached, press the 2 SCN button again to cancel the function and play the selected track. Track Scan mode can also be canceled by activating the Repeat Play (18) or Random Play (19) functions.



CD PLAYER OPERATING INSTRUCTIONS

18 Track Repeat Play Select (RPT)

During disc play, press the **3 RPT** button (18) to repeat play of the selected track ("S-RPT" will appear on the display panel). Play of the track will continue to repeat until **3 RPT** is pressed again and the "S-RPT" indication disappears from the display panel. Repeat Play mode can also be canceled by activating the Track Scan (17) or Random Play (19) functions.

19 Random Play Select (SHF)

During disc play, press the **4 SHF** button (19) to play the tracks on the disc in a random, shuffled order ("S-SHF" will appear on the display panel). In Random Play mode, you can press the **TUNE/TRACK** buttons (6a and 6b) to select tracks in a random order instead of the normal progression. Press **4 SHF** again to cancel Random Play mode. Random Play mode can also be canceled by activating the Repeat Play (18) or Track Scan (17) functions.

14 Mode Selector (MODE)

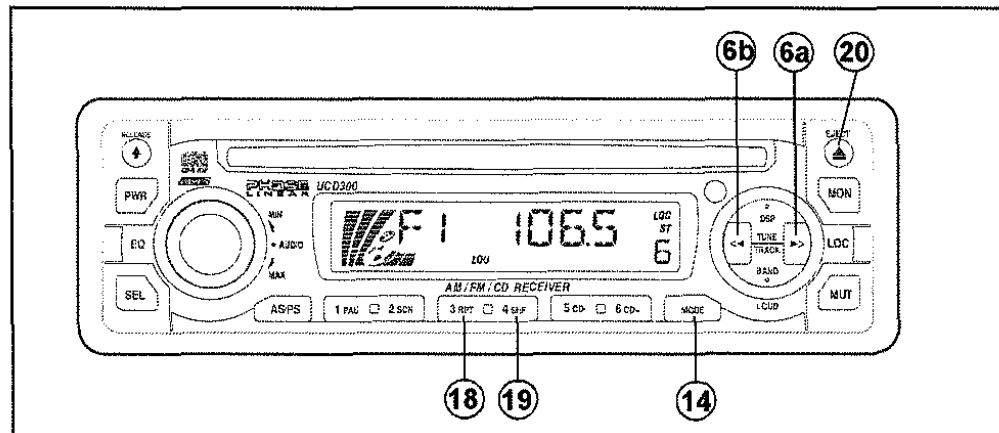
Press the **MODE** button (14) to change between CD player and radio operation. The current mode is indicated on the display panel.

During CD player operation, this button may be used to change to radio without ejecting the disc (the CD icon () will remain on the display to show that a disc is still loaded). Press **MODE** again to return to CD player mode.

20 Disc Eject Button

When the disc eject **▲** button (20) is pressed, disc play is stopped, the disc is ejected, and the unit will change to radio operation. If the disc is not removed from the unit within 15 seconds, the disc will be re-loaded.

NOTE: To prevent a disc from accidentally being damaged, always remove the disc from the unit when disc play is finished.



MP3 PLAYER OPERATION (UMP400)

This section applies to the UMP400 only.

Instructions for Insert/Eject, Play/Pause, Track Selection, Cue/Review, Scan, Repeat, and Random are the same for CD and MP3 operation. Please see the CD Player Operation section for information about these topics.

After inserting an MP3 disc, "MP3 T" and the track number momentarily appear, followed by the ID Tag (if supported). After these initial indications, the track number and song title alternately appear, with the song title scrolling right to left across the display.

Display Information

Press **BAND** (5) to display the ID3 tag, if available. The ID tag can specify the song title, artist, album, year and/or comments. If no ID tag is available, "-NO ID3" will appear in the display following the comments.

Direct Song/File Access

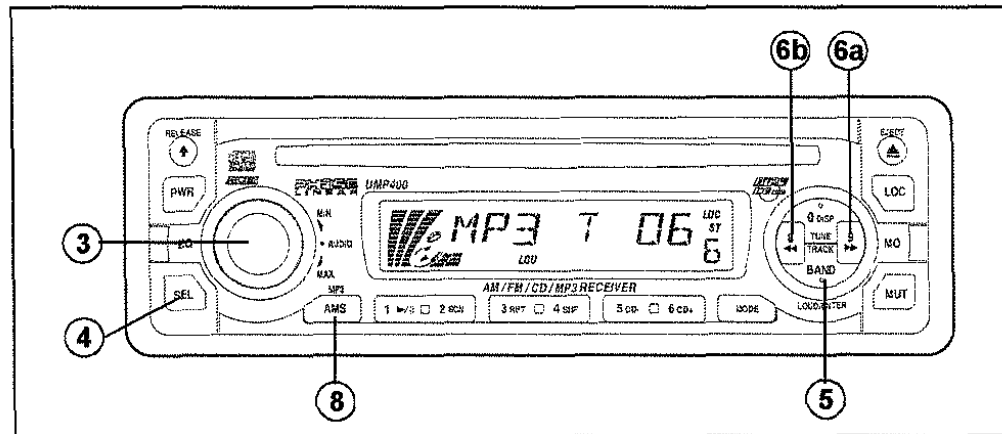
Press the **AMS** (8) button once to enable direct track searching. Use the **AUDIO** control (3) to select the desired song/file. Press the **BAND/LOUD/ENTER** (5) button to play the selected song/file, or do nothing and the unit will search and play the song/file within three seconds.

Searching by Name

1. Press the **AMS** button (8) twice to enable directory or file name searching.
2. Use the **AUDIO** control (3) to select the characters A-Z, _, -, +, and 0-9.
3. Press the **SEL** button (4) to confirm entry of each character.
4. Press the **BAND/LOUD/ENTER** button (5) to begin the search. If the selected entry is a directory name, " ` ` " will be displayed.
5. Use the **AUDIO** control to select the song/file in this directory/folder.
6. Press **BAND/LOUD/ENTER** to play the selected song/file.

Searching the Root Directory

1. Press the **AMS** button (8) three times.
2. Use the **AUDIO** control (3) to select the desired directory/song. If a directory is present, "D-DIR" appears in the display.
3. Press the **BAND/LOUD/ENTER** button (5) to access the directory. " ` ` " will appear in the display indicating that a directory has been selected for searching.
4. Use the **AUDIO** control to select the song/file.
5. Press **BAND/LOUD/ENTER** to play your selection.



CD CHANGER CONTROLS

Built into the UCD300 and UCD400 are controls to operate an optional CD changer. Please check with your Phase Linear/Audiovox car stereo specialist or call 1-800-323-4815 for recommendations of the models that will work with this radio.

Adjustment of the audio functions (volume, tone, balance, and fader) and CD functions (Pause/Play, SCN, SHF, RPT and TRACK selection) for the CD changer operate in the same manner as they do for radio play. See the Operation and CD Player Operation sections for information about these topics.

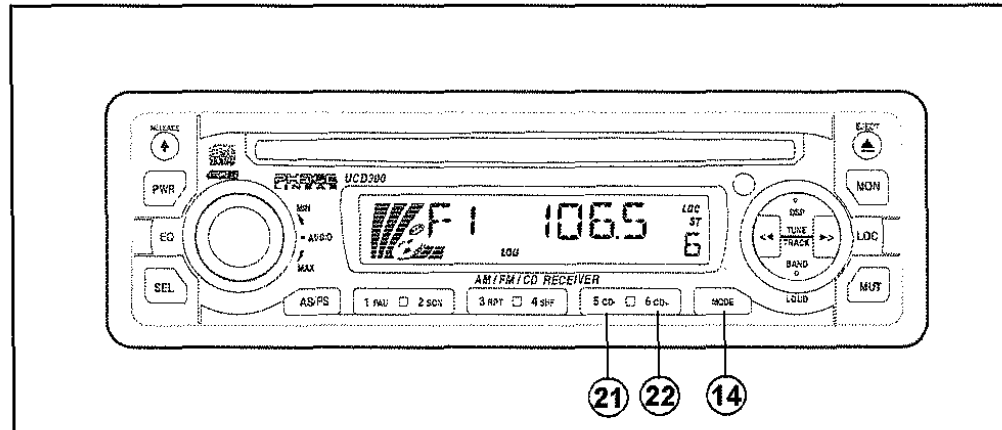
The following controls will operate an optional CD changer when it is installed and connected to this radio. Refer to the owner's manual included with the CD changer for instructions on the installation and correct loading and use of the CD magazine.

14 CD Changer Mode Selector (MODE)

Press the **MODE** button (14) to select operation of the CD changer, as shown by "CDC" on the display panel. Disc play will begin and the disc and track number will be shown on the display panel. If a new magazine has been loaded into the changer, play will begin from the first track of the first disc in the magazine. If a magazine was already in the changer, play will resume from the track on the disc previously in play.

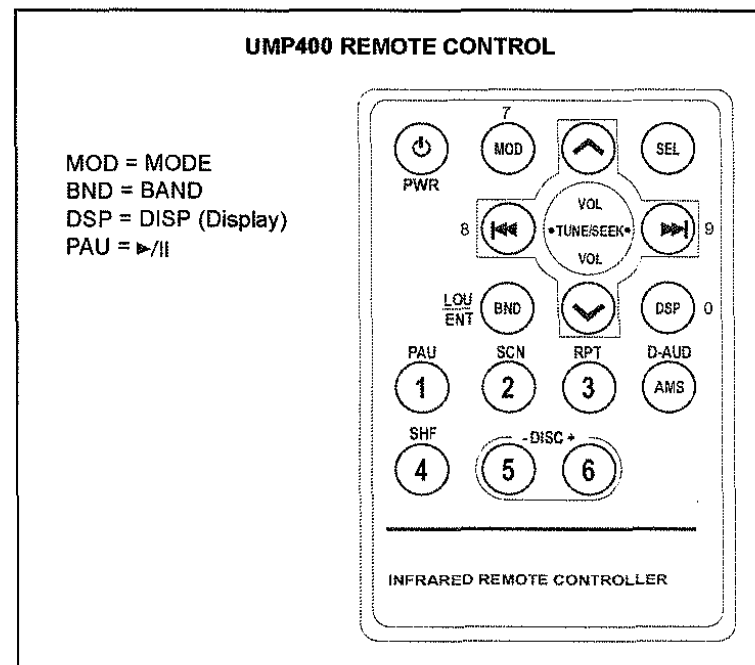
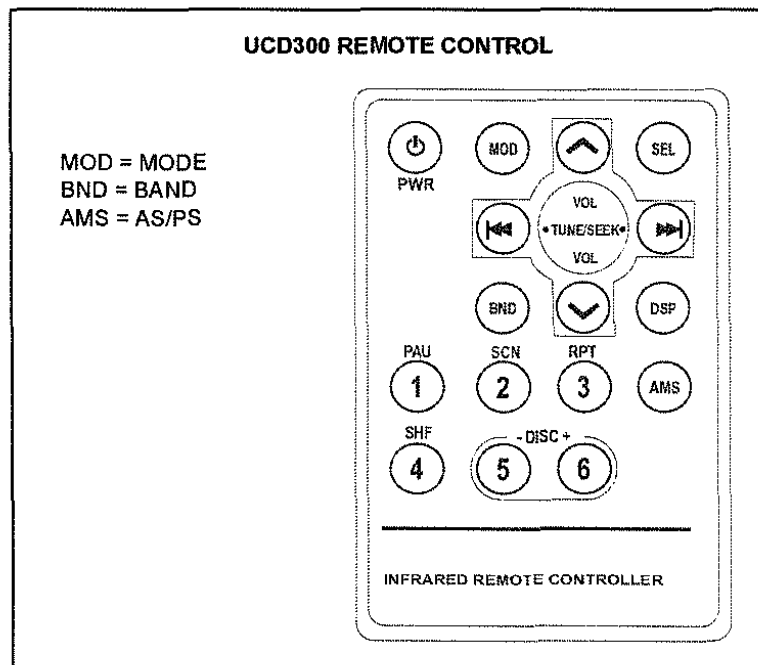
21, 22 Disc Select (5CD-/6CD+)

These **CD-/+** buttons (21 and 22) are used to select the desired disc for play. To advance to a lower number disc, press the **5 CD-** button (21). To return to a higher number disc, press the **6 CD+** button (22). The number of the disc in play will be shown on the display panel.



REMOTE CONTROL

The remote control will allow you to control the basic functions of the UCD300/UMP400.



CARE AND MAINTENANCE

Your new radio/CD player does not require any maintenance. However, proper understanding of its use and handling will help you obtain maximum enjoyment of its capabilities. We recommend that you keep this manual for reference on the many features of this unit as well as how to set the clock. The following points should be observed:

- When cleaning the interior of the vehicle, do not get water or cleaning fluids on the unit.
- The CD player is a precision instrument and will not operate properly in extreme heat or cold. If such conditions occur, wait until the interior of the vehicle reaches a normal temperature before using the player.
- If the temperature inside the player gets too hot, a protective circuit will automatically stop play of the disc. In this case, allow the unit to cool before operating the player again.
- Never insert anything other than a 5" (12 cm) compact disc into the player as the mechanism can be damaged by foreign objects.
- Do not attempt to use 3" (8 cm) CD-Single discs in this unit, either with or without an adaptor, as damage to the player and/or disc may occur. Such damage will not be covered by the Warranty on this product.
- When not using the disc player, always remove the compact disc. Do not leave an ejected disc sitting in the disc slot as this can expose it to sunlight and other causes of damage.
- Do not attempt to open the unit chassis. There are no user-serviceable parts or adjustment points inside.
- When the vehicle warms up during cold weather or under damp conditions, condensation may appear on the lens of the disc player. Should this occur, the player will not operate properly until the moisture has evaporated.
- The unit is designed with a vibration dampening CD mechanism to minimize interruption of disc play due to normal vibration. When driving on rough roads, however, occasional sound skips may occur. This will not scratch or damage the disc and normal play will resume when the rough conditions cease.
- Carefully wipe fingerprints, dust and dirt from the disc's playing surface with a soft cloth. Wipe in a straight motion from the center to the outside of the disc.
- Never use chemicals such as record sprays or household cleaners to clean CDs, as they can irreparably damage the disc's surface.
- Discs should be kept in their storage cases when not in use.
- Do not expose discs to direct sunlight, high temperatures or high humidity for long periods.
- Do not stick paper, tape or labels on disc surfaces.

Handling Compact Discs

Dirt, dust, scratches and warping can cause skips in the playback and deterioration of sound quality. Please follow these guidelines to take care of your compact discs:

RESET BUTTON

A Reset button is located behind the faceplate on the left side (the front panel must be removed to access the button). The Reset function is provided to protect the microprocessor circuitry and should only be activated under the following circumstances as it will erase the time and pre-set memories: Upon initial installation after all wiring is completed; if there is a malfunction of any of the switches on the unit, pressing the Reset button may clear the system and return to normal operation.

SPECIFICATIONS

CD-R and CD-RW Capability

Depending on media type and method of "recording/burning", some CD-R/RWs may be incompatible with this unit. After "recording/burning", **the session must be closed**. Please refer to your software's recommended procedures for closing a disc/session. Review your recording software to familiarize yourself with the correct "recording/burning" procedures. We recommend using the latest versions of ROXIO™ or NERO™ burning software.

UCD300

This unit will only recognize the **CDDA (Compact Disc Digital Audio) format** "recorded/burned" onto a CD-R/RW. This unit does not support .MP3, .WMA, .WAV, .OGG or other formats. The CDDA format is the standard format of an "original store-bought" CD. When recording/burning a CD-R/RW make sure the CDDA format is selected.

UMP400

This unit will only recognize the **CDDA (Compact Disc Digital Audio), .MP3 and .WMA** formats "recorded / burned" onto a CD-R/RW. This unit does not support .WAV, .OGG or other formats.

Technical Specifications



CEA Power Ratings

Power Output: 13 watts RMS X 4 channels into 4-ohms @ < 1% THD+N
 Signal to Noise Ratio: 70dBA below reference. (Reference: 1 watt, 4-ohms)
 Frequency Response: 20Hz to 20kHz, -3dB
 Reference Supply Voltage: 14.4VDC

CD Player

Signal to Noise Ratio: >75dBA
 Frequency Response: 20Hz to 18kHz, -3dB
 Channel Separation: > 55dB @ 1kHz
 D/A converter: 1Bit/Ch

FM Tuner

Tuning Range: 87.5MHz - 107.9MHz
 Mono Sensitivity: 18dBf
 50dB Stereo Quieting Sensitivity: 20dBf
 Stereo Separation @ 1kHz: >30dB
 Frequency Response: 30Hz to 12kHz, -3dB

AM Tuner

Tuning Range: 530kHz - 1710kHz
 Sensitivity @ 20dB Signal to Noise: 30uV
 Frequency Response: 30Hz - 2kHz, -3dB

General

Power Supply: 11 to 16VDC, negative ground
 Fuses: Battery - 15 amp, ATO
 20-pin quick-connect harness
 Dimensions: 7" X 7" X 2" (178mm x 178mm x 51mm)

Specifications subject to change without notice.

90 DAY LIMITED WARRANTY

AUDIOVOX CORPORATION (the Company) warrants to the original retail purchaser of this product that should this product or any part thereof, under normal use and conditions, be proven defective in material or workmanship within 90 days from the date of original purchase, such defect(s) will be repaired or replaced with new or reconditioned product (at the Company's option) without charge for parts and repair labor. To obtain repair or replacement within the terms of this Warranty, the product is to be delivered with proof of warranty coverage (e.g. dated bill of sale), specification of defect(s), transportation prepaid, to the warranty center at the address shown below.

This Warranty does not extend to the elimination of car static or motor noise, to correction of antenna problems, to costs incurred for installation, removal, or reinstallation of the product, or damage to tapes, compact discs, accessories or vehicle electrical systems. This Warranty does not apply to any product or part thereof which, in the opinion of the Company, has suffered or been damaged through alteration, improper installation, mishandling, misuse, neglect, accident, or by removal or defacement of the factory serial number/bar code label(s) or markings. THE EXTENT OF THE COMPANY'S

LIABILITY UNDER THIS WARRANTY IS LIMITED TO THE REPAIR OR REPLACEMENT PROVIDED ABOVE AND, IN NO EVENT, SHALL THE COMPANY'S LIABILITY EXCEED THE PURCHASE PRICE PAID BY PURCHASER FOR THE PRODUCT. This Warranty is in lieu of all other express warranties or liabilities. ANY IMPLIED WARRANTIES, INCLUDING ANY IMPLIED WARRANTY OF MERCHANTABILITY, SHALL BE LIMITED TO THE DURATION OF THIS WRITTEN WARRANTY. ANY ACTION FOR BREACH OF ANY WARRANTY HEREUNDER INCLUDING ANY IMPLIED WARRANTY OF MERCHANTABILITY MUST BE BROUGHT WITHIN A PERIOD OF 30 MONTHS FROM DATE OF ORIGINAL PURCHASE. IN NO CASE SHALL THE COMPANY BE LIABLE FOR ANY CONSEQUENTIAL OR INCIDENTAL DAMAGES FOR BREACH OF THIS OR ANY OTHER WARRANTY, EXPRESS OR IMPLIED, WHATSOEVER. No person or representative is authorized to assume for the Company any liability other than expressed herein in connection with the sale of this product.

Some states do not allow limitations on how long an implied warranty lasts or the exclusion or limitation of incidental or consequential damage so the above limitations or exclusions

may not apply to you. This Warranty gives you specific legal rights and you may also have other rights which vary from state to state. U.S.A: Audiovox Corporation, 150 Marcus Blvd., Hauppauge, NY 11788, 1-800-323-4815 CANADA: Call 1-800-323-4815 for location of a warranty station serving your area.

Audiovox Electronics Corporation
150 Marcus Boulevard
Hauppauge, NY 11788
1-800-323-4815
www.audiovox.com

©2005 Audiovox
v.011505